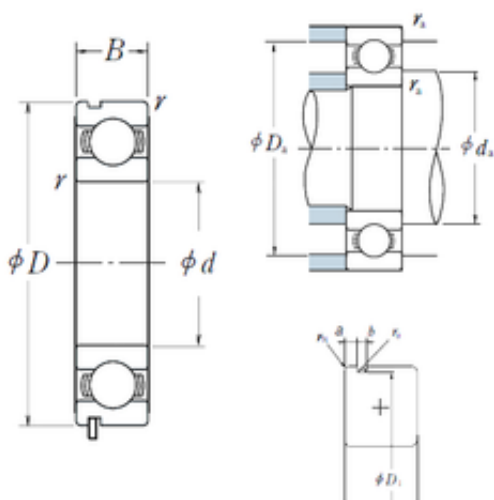




BEARING BOWER CORP.

17 mm x 40 mm x 12 mm NSK 6203N deep groove ball bearings

Bearing No. 6203N



6203N Bearing 2D drawings and 3D CAD models

Size	17x40x12 mm
Bore Diameter	17 mm
Outer Diameter	40 mm
Width	12 mm
d	17 mm
D	40 mm
B	12 mm
C	12 mm
rn	0,5 mm
a	2,06 mm
b	1,35 mm
r min.	0,6 mm
r0 max.	0,4 mm
D1	38,1 mm
da min.	21 mm
da max	23,5 mm
Da max.	36 mm
ra max.	0,6 mm
Weight	0,067 Kg
Basic dynamic load rating (C)	9,55 kN
Basic static load rating (C0)	4,8 kN
(Grease) Lubrication Speed	17 000 r/min
(Oil) Lubrication Speed	20 000 r/min
SRI	3.41
hidYobi	6203N



BEARING BOWER CORP.

LangID	1
ro	0.4
D_	40
SREX	0.04
B_	12
da min	21
hidTable	ecat_NSRDGB
Oil rpm	20000
SRE	3.58
mass	0.067
GRS rpm	17000
ra	0.6
SRIX	0.02
D_a	36
SRIN	0
C0	4.8
fo	13.2
SREN	0
DE_	35.747
Prod_Type3	DGBB_SR_N_OT
DA_	6.747
bomp	0
Z_	8
yobi	6203N
C_conv	9550
ALPHA_	0
SDM_	29
r	0.6
KBRG	6101
SBRG	2
DI_	22.253