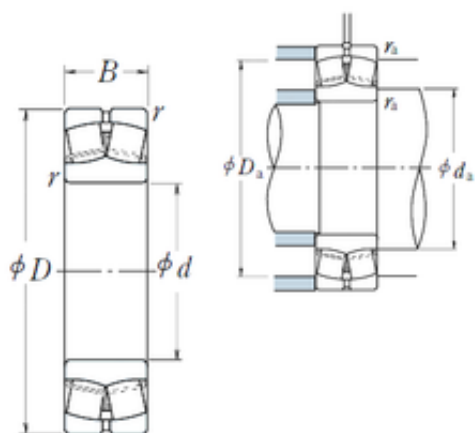




BEARING BOWER CORP.



60 mm x 130 mm x 31 mm NSK 21312EAE4
spherical roller bearings

Bearing No. 21312EAE4

21312EAE4 Bearing 2D drawings and 3D CAD models

Size	60x130x31 mm
Bore Diameter	60 mm
Outer Diameter	130 mm
Width	31 mm
d	60 mm
D	130 mm
B	31 mm
C	31 mm
r min.	2,1 mm
da min.	72 mm
da max	87 mm
Da min	117 mm
Da max.	118 mm
ra max.	2 mm
Weight	1,98 Kg
Basic dynamic load rating (C)	190 kN
Basic static load rating (C0)	244 kN
(Grease) Lubrication Speed	3400 r/min
(Oil) Lubrication Speed	4300 r/min
Calculation factor (e)	0,22
Calculation factor (Y0)	3
Calculation factor (Y2)	4,5
Category	Spherical Roller Bearings
Inventory	0.0
Manufacturer Name	NSK



BEARING BOWER CORP.

Minimum Buy Quantity	N/A
Weight / Kilogram	2
Product Group	B04311
Internal Clearance	C0-Medium
Mounting Method	Shaft Mount
Rolling Element	Spherical Roller Bearing
Bore Profile	Straight
Cage Material	Steel
Enclosure	Open
Number of Rows of Rollers	Double Row
Relubricatable	Yes
Withdrawal Sleeve	Not Applicable
Inch - Metric	Metric
Long Description	60MM Straight Bore; 130MM Outside Diameter; 31MM Width; C0-Medium Clearance; Shaft Mount; Double Row of Spherical Roller Bearings; Steel Cage Material; Open Enclosure; Relubricatable
Category	Spherical Roller Bearing
UNSPSC	31171510
Harmonized Tariff Code	84823080
Noun	Bearing
Keyword String	Spherical
Manufacturer URL	http://www.nskamericas.com
Manufacturer Item Number	21312EAE4
Weight / LBS	2
Adapter Part Number	Not Applicable Inch Not Applicable Millimeter
Width	1.22 Inch 31 Millimeter
Bore	2.362 Inch 60 Millimeter
Outside Diameter	5.118 Inch 130 Millimeter



BEARING BOWER CORP.

bore diameter:	60 mm
maximum rpm:	4800 RPM
outside diameter:	130 mm
operating temperature range:	Maximum of +200 ° C
overall width:	31 mm
cage material:	Steel
bore type:	Straight
bearing material:	Steel
outer ring type:	Not Split
cage type:	Inner Ring Guided
internal clearance:	C0
precision rating:	RBEC 1 (ISO Class Normal)
closure type:	Open
finish/coating:	Uncoated
lubrication hole type:	Lubrication Groove & Hole
outer ring width:	31 mm
dynamic load capacity:	238000 N
fillet radius:	2.1 mm
static load capacity:	244000 N
series:	213
Y3	3
hidYobi	21312EAE4
LangID	1
Y1	3
D_	130
Y2	4.5
Macha rpm	6700
B_	31
da min	72
hidTable	ecat_NSSPHR
Oil rpm	4800



BEARING BOWER CORP.

Y0	3
mass	1.98
GRS rpm	3800
ra	2
TSR rpm	4800
C0	244
DE_	118.702
X0	1
Prod_Type3	SRB_CTB_CB
X1	1
X2	0.67
SIR	12.15
e	0.22
DA_	14.9
bomp	21312EAE4
Z_	20
ALP2	26
ALP1	8
ALP3	0
D_a max	118
D_a min	117
yobi	21312EAE4
HPS	HPS
ALPHA_	0.147
SDM_	103.964
r	2.1
KBRG	2328
SBRG	3
DI_	89.225