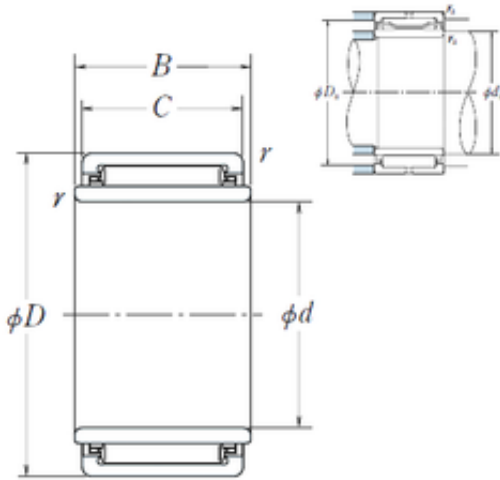




BEARING BOWER CORP.

10 mm x 22 mm x 15,2 mm NSK LM152215
needle roller bearings

Bearing No. LM152215



LM152215 Bearing 2D drawings and 3D CAD models

Size	10x22x15.2 mm
Bore Diameter	10 mm
Outer Diameter	22 mm
Width	15,2 mm
d	10 mm
Fw	15 mm
D	22 mm
B	15,2 mm
C	15 mm
r min.	0,3 mm
da min.	12 mm
Da max.	20 mm
ra max.	0,3 mm
Weight	0,027 Kg
Basic dynamic load rating (C)	9,9 kN
Basic static load rating (C0)	11,1 kN
(Grease) Lubrication Speed	14000 r/min
hidYobi	LM152215
LangID	1
D_	22
B_	15.2
hidTable	ecat_NS MRNR
GRS rpm	14000
ra	0.3
da_min	12



BEARING BOWER CORP.

d2	10
C0	11.1
C1_	15
DE_	20
SLR	10.8
Prod_Type3	NRB_S_LM
DA_	2.5
Z_	12
SI	15
yobi	LM152215
da_max	20
OIL rpm	24000
SDM_	17.5
r	0.3
KBRG	8352
mass2	0.027
B1	15.2