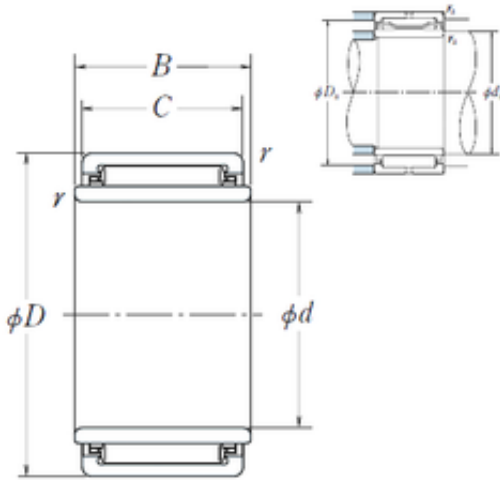




BEARING BOWER CORP.

30 mm x 42 mm x 20,2 mm NSK LM3520
needle roller bearings

Bearing No. LM3520



LM3520 Bearing 2D drawings and 3D CAD models

Size	30x42x20.2 mm
Bore Diameter	30 mm
Outer Diameter	42 mm
Width	20,2 mm
d	30 mm
Fw	35 mm
D	42 mm
B	20,2 mm
C	20 mm
r min.	0,5 mm
da min.	34 mm
Da max.	38 mm
ra max.	0,5 mm
Weight	0,085 Kg
Basic dynamic load rating (C)	22,3 kN
Basic static load rating (C0)	41 kN
(Grease) Lubrication Speed	6300 r/min
hidYobi	LM3520
LangID	1
D_	42
B_	20.2
hidTable	ecat_NSMRNR
GRS rpm	6300
ra	0.5
da_min	34



BEARING BOWER CORP.

d2	30
C0	41
C1_	20
DE_	40
SLR	15.8
Prod_Type3	NRB_S_LM
DA_	2.5
Z_	27
SI	35
yobi	LM3520
da_max	38
OIL rpm	10000
SDM_	37.5
r	0.5
KBRG	8352
mass2	0.085
B1	20.2