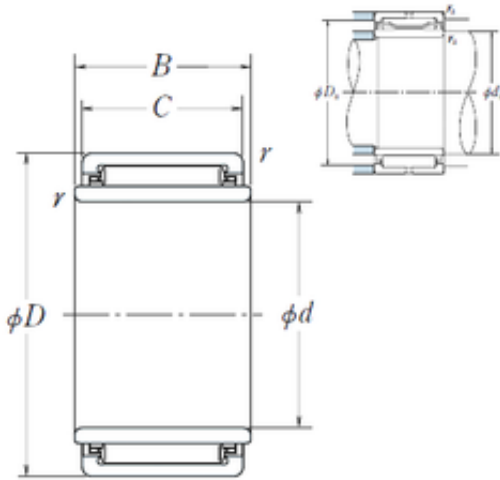




BEARING BOWER CORP.

12 mm x 24 mm x 20,2 mm NSK LM1620
needle roller bearings

Bearing No. LM1620



LM1620 Bearing 2D drawings and 3D CAD models

| | |
|-------------------------------|---------------|
| Size | 12x24x20.2 mm |
| Bore Diameter | 12 mm |
| Outer Diameter | 24 mm |
| Width | 20,2 mm |
| d | 12 mm |
| Fw | 16 mm |
| D | 24 mm |
| B | 20,2 mm |
| C | 20 mm |
| r min. | 0,3 mm |
| da min. | 14 mm |
| Da max. | 22 mm |
| ra max. | 0,3 mm |
| Weight | 0,041 Kg |
| Basic dynamic load rating (C) | 16,5 kN |
| Basic static load rating (C0) | 19,5 kN |
| (Grease) Lubrication Speed | 13000 r/min |
| hidYobi | LM1620 |
| LangID | 1 |
| D_ | 24 |
| B_ | 20.2 |
| hidTable | ecat_NSMRNR |
| GRS rpm | 13000 |
| ra | 0.3 |
| da_min | 14 |



BEARING BOWER CORP.

| | |
|------------|----------|
| d2 | 12 |
| C0 | 19.5 |
| C1_ | 20 |
| DE_ | 22 |
| SLR | 15.8 |
| Prod_Type3 | NRB_S_LM |
| DA_ | 3 |
| Z_ | 12 |
| SI | 16 |
| yobi | LM1620 |
| da_max | 22 |
| OIL rpm | 22000 |
| SDM_ | 19 |
| r | 0.3 |
| KBRG | 8352 |
| mass2 | 0.041 |
| B1 | 20.2 |