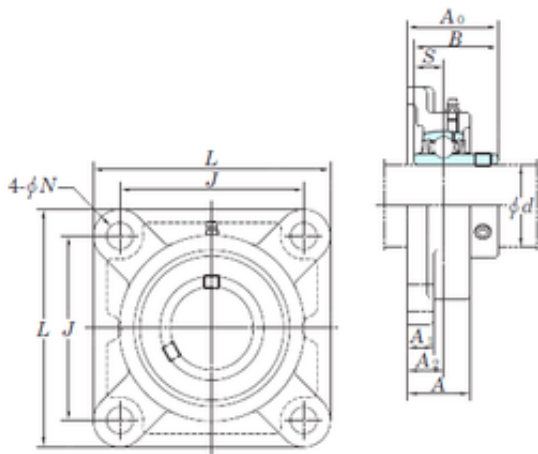




# BEARING BOWER CORP.

## KOYO UCF203 bearing units



Bearing No. UCF203

Bore Diameter	17 mm
d	17 mm
A0	33,3 mm
A	25,5 mm
A1	11 mm
B	31 mm
J	64 mm
L	86 mm
N	12 mm
S	12,7 mm
Bolt (G)	M10
A2	15 mm
Weight	0,61 Kg
Basic dynamic load rating (C)	12,8 kN
Basic static load rating (C0)	6,65 kN
Bearing No.	UCF203
Bolt size	M10
Cr	12.8
C0r	6.65
f0	13.2
(Refer.)Unit mass(kg)	0.61
Nipple size	1/4-28UNF

UCF203 Bearing 2D drawings and 3D CAD models