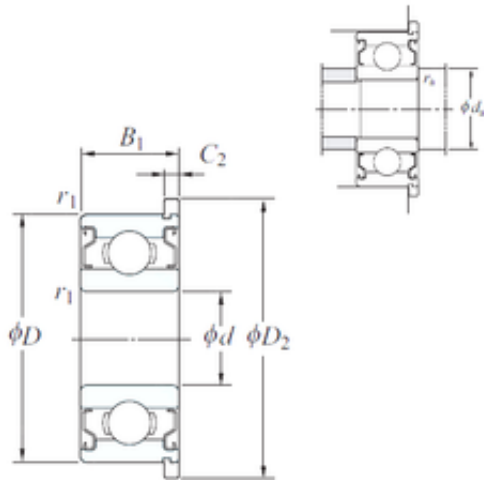




BEARING BOWER CORP.

6 mm x 12 mm x 4 mm KOYO WMLFN6012 ZZ deep groove ball bearings



Bearing No. WMLFN6012 ZZ

Size	6x12x4 mm
Bore Diameter	6 mm
Outer Diameter	12 mm
Width	4 mm
d	6 mm
D	12 mm
B	4 mm
C	4 mm
r	0,1 mm
D2	13,6 mm
da min.	7,2 mm
ra max.	0,1 mm
C2	0,8 mm
Weight	0,0017 Kg
Basic dynamic load rating (C)	0,71 kN
Basic static load rating (C0)	0,29 kN
(Grease) Lubrication Speed	49 000 r/min

WMLFN6012 ZZ Bearing 2D drawings and 3D CAD models