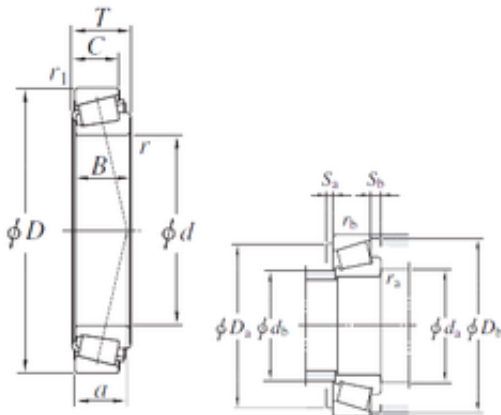




# BEARING BOWER CORP.

139,7 mm x 228,6 mm x 57,15 mm KOYO  
898/892 tapered roller bearings



Bearing No. 898/892

Size	139.7x228.6x57.15 mm
Bore Diameter	139,7 mm
Outer Diameter	228,6 mm
Width	57,15 mm
d	139,7 mm
D	228,6 mm
T	57,15 mm
B	57,15 mm
C	44,45 mm
a	50,6 mm
r min.	3,6 mm
r1 min.	3,2 mm
da min.	152 mm
Da min	201 mm
Da max.	217 mm
db max.	158 mm
ra max.	3,6 mm
rb max.	3,2 mm
Db	214 mm
Weight	8,68 Kg
Basic dynamic load rating (C)	439 kN
Basic static load rating (C0)	730 kN
Calculation factor (e)	0,42
Calculation factor (Y0)	0,78

898/892 Bearing 2D drawings and 3D CAD models