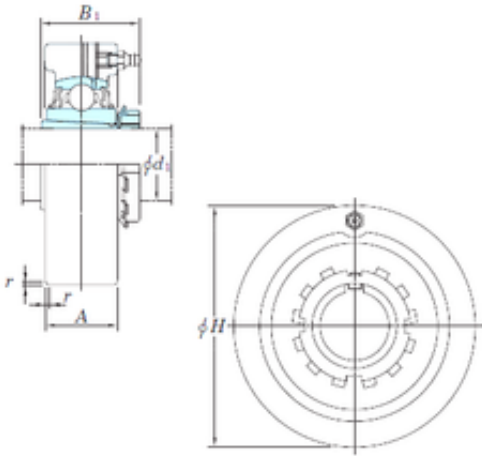




BEARING BOWER CORP.

KOYO UKC317 bearing units

Bearing No. UKC317



UKC317 Bearing 2D drawings and 3D CAD models

Bore Diameter	76,2 mm
d	76,2 mm
r	4 mm
A	64 mm
B1	82 mm
H	215 mm
Weight	11,6 Kg
Basic dynamic load rating (C)	133 kN
Basic static load rating (C0)	96,8 kN