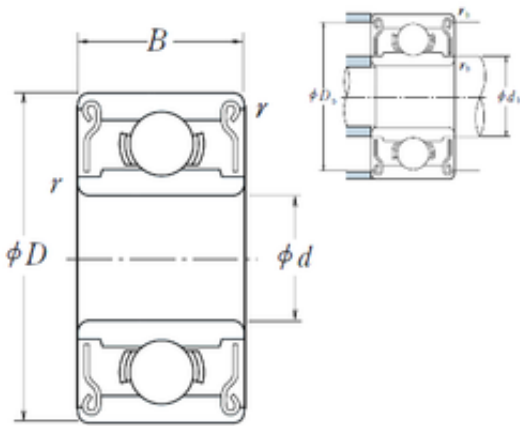




BEARING BOWER CORP.

9,525 mm x 22,225 mm x 7,142 mm ISO R6ZZ
deep groove ball bearings

Bearing No. R6ZZ



R6ZZ Bearing 2D drawings and 3D CAD models

Size	9.525x22.225x7.142 mm
Bore Diameter	9,525 mm
Outer Diameter	22,225 mm
Width	7,142 mm
d	9,525 mm
D	22,225 mm
B	7,142 mm
C	7,142 mm
r min.	0,4 mm