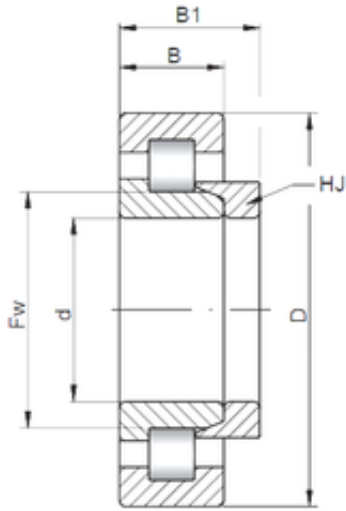




## BEARING BOWER CORP.



17 mm x 47 mm x 14 mm ISO NH303  
cylindrical roller bearings

Bearing No. NH303

Dimensione	17x47x14 mm
Marchio	ISO
Diametro del foro	17 mm
Diametro esterno	47 mm
Larghezza	14 mm
d	17 mm
D	47 mm
B	14 mm
C	14 mm
B1	3 mm
B2	5,5 mm

NH303 Bearing 2D drawings and 3D CAD models