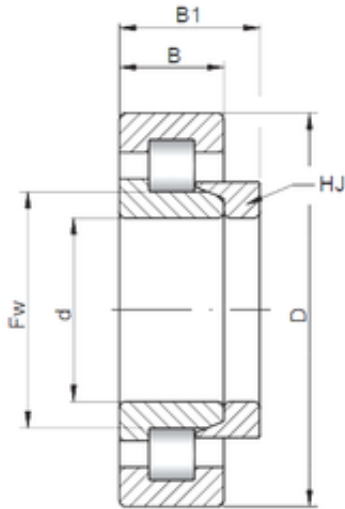




## BEARING BOWER CORP.



120 mm x 310 mm x 72 mm ISO NH424  
cylindrical roller bearings

Bearing No. NH424

Size	120x310x72 mm
Bore Diameter	120 mm
Outer Diameter	310 mm
Width	72 mm
d	120 mm
D	310 mm
B	72 mm
C	72 mm
B1	17 mm
B2	30,5 mm

NH424 Bearing 2D drawings and 3D CAD models